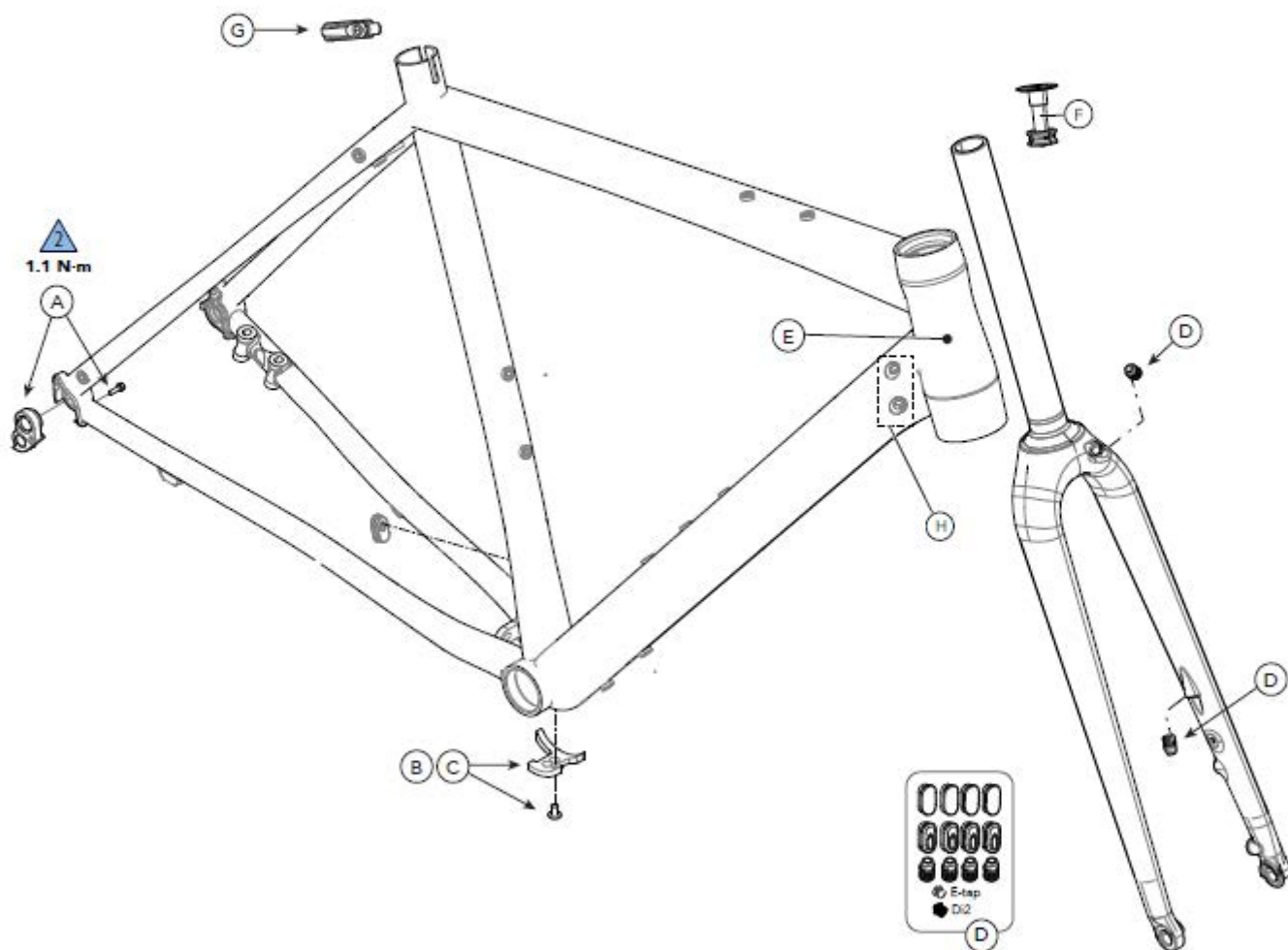


Topstone Alloy

2019 - 2020

Item	Specification
Headtube	UPR: 1-1/8 in, LWR: 1-1/4 in
Bottom Bracket: Type / Width	BSA / 68 mm
Front Derailleur	31.8 mm Clamp, Down-Swing
Seat Post: Dia./Binder	27.2 mm / 31.8 mm
▲ Min. Seat Post Insert	100 mm
▲ Tire Size x Max. Width	700c x 40 mm (measured)
Brakes: Mount Type / Min/Max Rotor Dia.	RR: Flat Mount / 140 mm / 160 mm FT: Flat Mount / 140 mm / 160 mm

Item	Specification
Axles: Type/Length	RR: Syntace TA / 142 × 12 mm FT: Maxle TA / 100 × 12 mm
Fork Leg length/Offset	400 mm / 55 mm
▲ Intended Use	ASTM CONDITION 2, General Purpose Riding
▲ Max. Weight Limit: Total (Rider+All Equipment):	330 lbs / 150 kg



ID	Part Number	Description	SHIMANO	SRAM
A	K33049	Derailleur Hanger TA ST SS 073	✓	✓
B	K32059	BB Cable Guide YF 007 3	✓	
C	K32119	BB Cable Guide YF-014		✓
D	K32048	Shift and Brake Grommets	✓	✓
E	K35098	Headset 1-1/8 to 1 1/4 33 O.D.TC	✓	✓
F	K35009	SL Compression Plug With Top Cap	✓	✓

ID	Part Number	Description	SHIMANO	SRAM
G	QC844/BBQ	Seatbinder Bolt Type 31.8 BLK	✓	✓
H	K32320	Shift Cable Stop Closed Grommet Qty 2	✓	✓
--	K83038	Ratchet Lever Maxle 100×12 125 mm	✓	✓
--	K83058	Ratchet Lever Syntace 142×12 165 mm	✓	✓